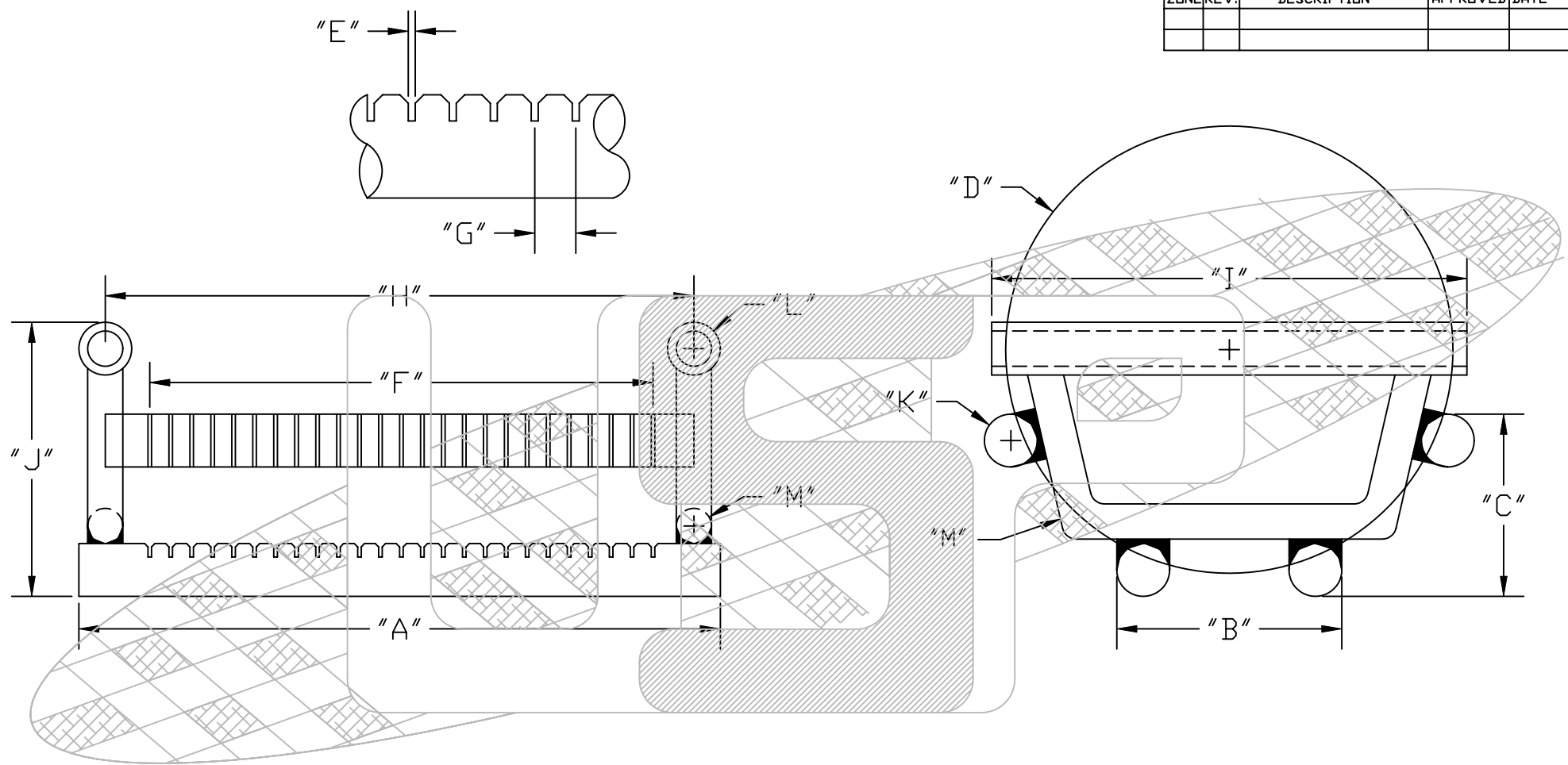
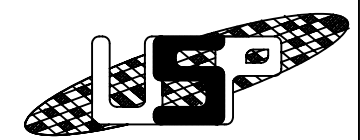


| REVISIONS |      |             |               |
|-----------|------|-------------|---------------|
| ZONE      | REV. | DESCRIPTION | APPROVED DATE |
|           |      |             |               |
|           |      |             |               |



AUTOMATIC TRANSFER      YES      NO



| "A"        | "B" | "C" | "D"          | "E"        | "F"         | UOS | TOLERANCES |
|------------|-----|-----|--------------|------------|-------------|-----|------------|
|            |     |     |              |            |             |     |            |
|            |     |     | WAFER $\phi$ | SLOT WIDTH | # OF SLOTS  |     |            |
| "G"        | "H" | "I" | "J"          | "K"        | "L"         |     |            |
|            |     |     |              |            |             |     |            |
| CEN TO CEN |     |     |              | ROD $\phi$ | TUBE $\phi$ |     |            |
| "M"        |     |     |              |            |             |     |            |
| ROD $\phi$ |     |     |              |            |             |     |            |

**TOLERANCES**

| DECIMAL INCHES   | MILLIMETERS    |
|------------------|----------------|
| X.X = +/- .050   | X = +/- .1     |
| X.XX = +/- .010  | X.X = +/- .5   |
| X.XXX = +/- .005 | X.XX = +/- .15 |

ANGULARITY +/- 1°

**PROPRIETARY**

THE INFORMATION CONTAINED HEREIN IS THE PROPERTY OF UNITED SILICA PRODUCTS INC., AND MAY NOT BE REPRODUCED OR DISCLOSED IN WHOLE OR IN PART WITHOUT THE WRITTEN PERMISSION OF UNITED SILICA PRODUCTS INC.

|  |             |      |
|--|-------------|------|
| <b>UNITED SILICA PRODUCTS, INC.</b><br>3 PARK DRIVE, FRANKLIN, NEW JERSEY 07416<br>PH (973) 209-8854 FAX (973) 209-8864<br>E-MAIL quartzsales@unitedsilica.com |             |      |
| TITLE      HIGH PROFILE  |             |      |
| CUST.  | DWG NO.     | REV. |
| MATERIAL   | DRAWN BY    |      |
| SCALE  | APPROVED BY |      |
| NONE   | SHEET       | DATE |