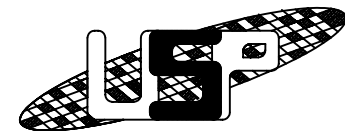
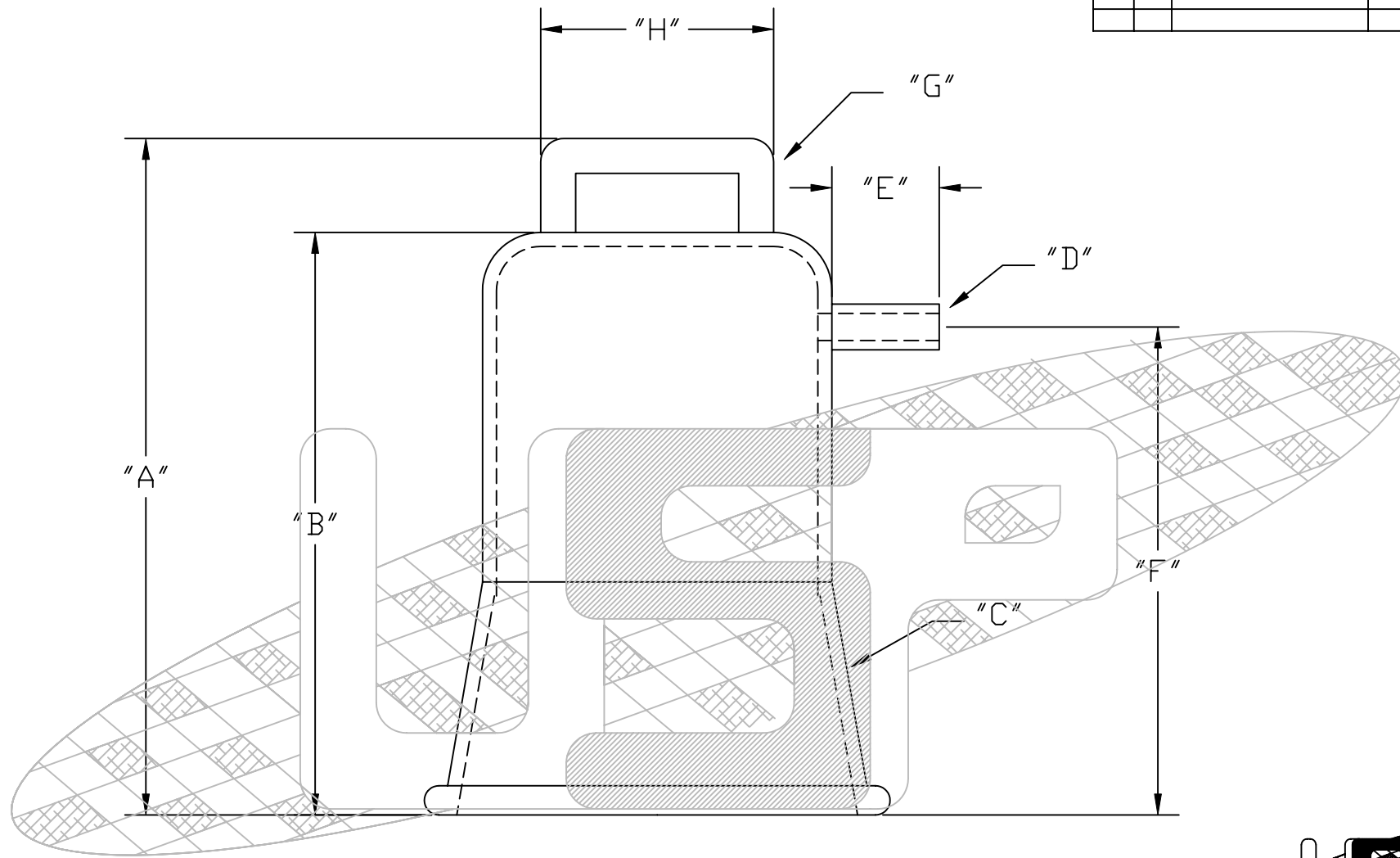


REVISIONS			
ZONE	REV.	DESCRIPTION	APPROVED DATE



TOLERANCES	
DECIMAL INCHES	MILLIMETERS
X.X = +/- .050	X = +/- 1
X.XX = +/- .010	X.X = +/- .5
X.XXX = +/- .005	X.XX = +/- .15
ANGULARITY +/- 1°	

PROPRIETARY
 THE INFORMATION CONTAINED HEREIN IS THE PROPERTY OF UNITED SILICA PRODUCTS INC., AND MAY NOT BE REPRODUCED OR DISCLOSED IN WHOLE OR IN PART WITHOUT THE WRITTEN PERMISSION OF UNITED SILICA PRODUCTS INC.

UNITED SILICA PRODUCTS, INC. 3 PARK DRIVE, FRANKLIN, NEW JERSEY 07416 PH (973) 209-8854 FAX (973) 209-8864 E-MAIL quartzsales@unitedsilica.com		
TITLE END CAP		
CUST.	DWG NO.	REV.
MATERIAL		DRAWN BY
APPROVED BY		
SCALE NONE	SHEET	DATE

"A" "B" "C" "D" "E" "F" "G" "H"

6 5 4 3 2 1