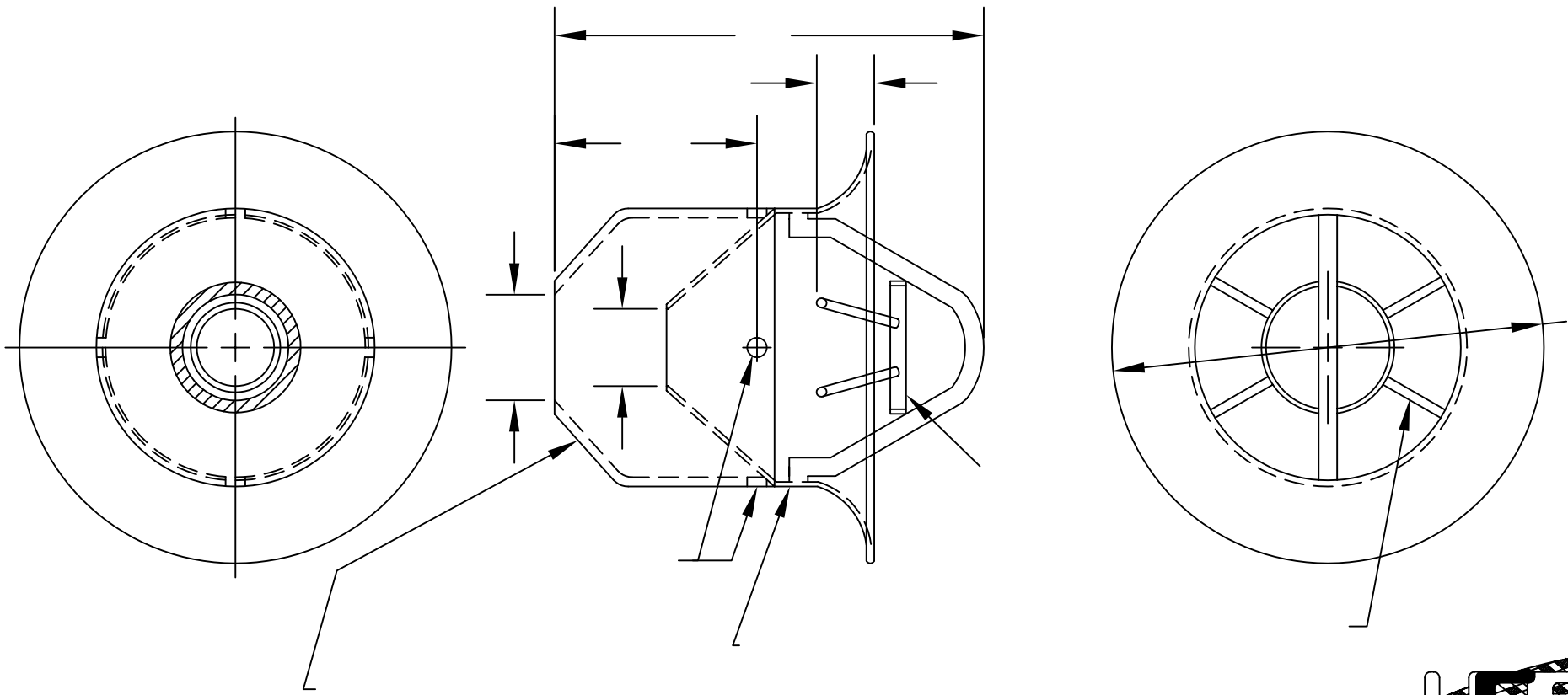


| REVISIONS | | | | |
|-----------|------|-------------|----------|------|
| ZONE | REV. | DESCRIPTION | APPROVED | DATE |
| | | | | |
| | | | | |
| | | | | |



UNITED SILICA PRODUCTS, INC.
 3 PARK DRIVE, FRANKLIN, NEW JERSEY 07416
 PH (973) 209-8854 FAX (973) 209-8864
 E-MAIL quartzsales@unitedsilica.com

| | | |
|------------------------|---------|-------------|
| TITLE Quartz Sleeve | | |
| CUST. | DWG NO. | REV. |
| MATERIAL | | DRAWN BY |
| | | APPROVED BY |
| SCALE NONE | SHEET | DATE |

| TOLERANCES | |
|----------------------------|-----------------|
| DECIMAL INCHES | MILLIMETERS |
| X.X = +/-0.1 | X = +/- 1 |
| X.XX = +/-0.02 | X.X = +/-0.5 |
| X.XXX = +/-0.010 | X.XXX = +/-0.25 |
| ANGULARITY +/- 1° | |
| FRACTIONS +/-1/8" | |
| QTZ. TUBE PER GE STD. TOL. | |

PROPRIETARY
 THE INFORMATION CONTAINED HEREIN IS THE PROPERTY OF UNITED SILICA PRODUCTS INC., AND MAY NOT BE REPRODUCED OR DISCLOSED IN WHOLE OR IN PART WITHOUT THE WRITTEN PERMISSION OF UNITED SILICA PRODUCTS INC.
 FILE NAME:TITLEB.DWG REV:1