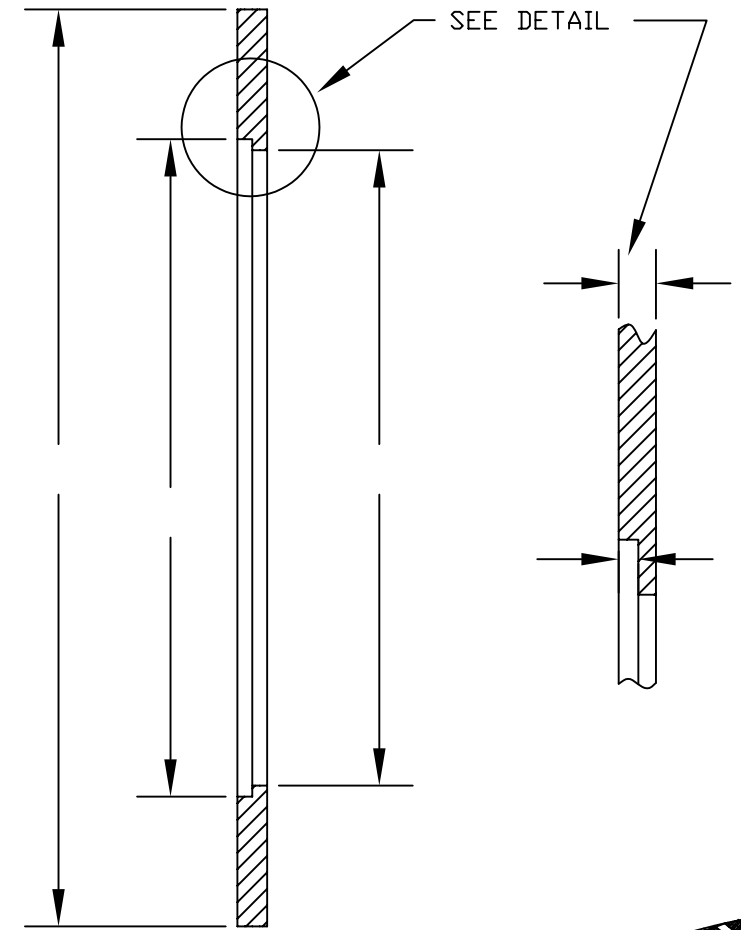
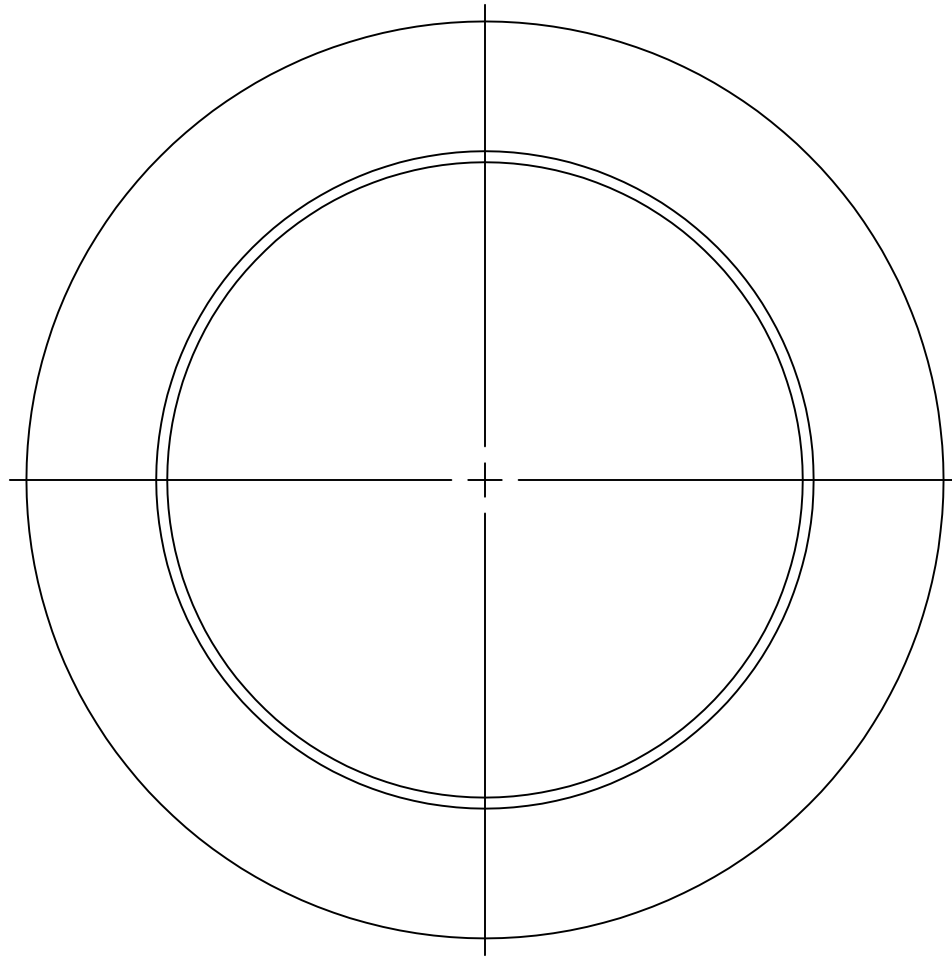


REVISIONS				
ZONE	REV.	DESCRIPTION	APPROVED	DATE



PROPRIETARY
 THE INFORMATION CONTAINED HEREIN IS THE PROPERTY OF UNITED SILICA PRODUCTS INC., AND MAY NOT BE REPRODUCED OR DISCLOSED IN WHOLE OR IN PART WITHOUT THE WRITTEN PERMISSION OF UNITED SILICA PRODUCTS INC.

TOLERANCES & STANDARDS UNLESS SPECIFIED	
DECIMAL INCHES	MILLIMETERS
X.X = +/-0.020	X = +/- 0.38mm
X.XX = +/-0.010	X.X = +/-0.25mm
X.XXX = +/-0.005	X.XX = +/-0.13mm
FRACTIONS OR WHOLE INCHES = ±1/64"	
ANGLES = ±1.0°	
SURFACE FINISH	
G.D. 32/BETTER	G&P 80/50

DO NOT SCALE DRAWINGS

BREAK ALL EDGES 0.010" MIN.

⊙ 0.010 TIR ▱ 0.005

⊥ 0.010/6.0" // 0.005

UNITED SILICA PRODUCTS, INC. 3 PARK DRIVE, FRANKLIN, NEW JERSEY 07416 PH (973) 209-8854 FAX (973) 209-8864 E-MAIL sales@unitedsilica.com		
TITLE OUTER RING		
CUST.	DWG NO.	REV.
MATERIAL GE124	DRAWN BY	
APPROVED BY		
SCALE NONE	SHEET	DATE