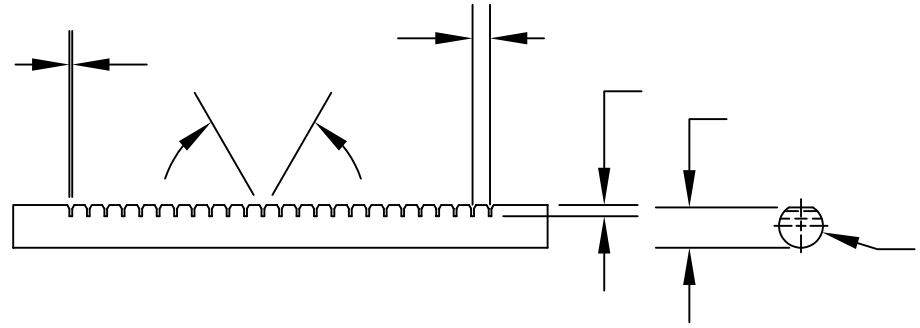
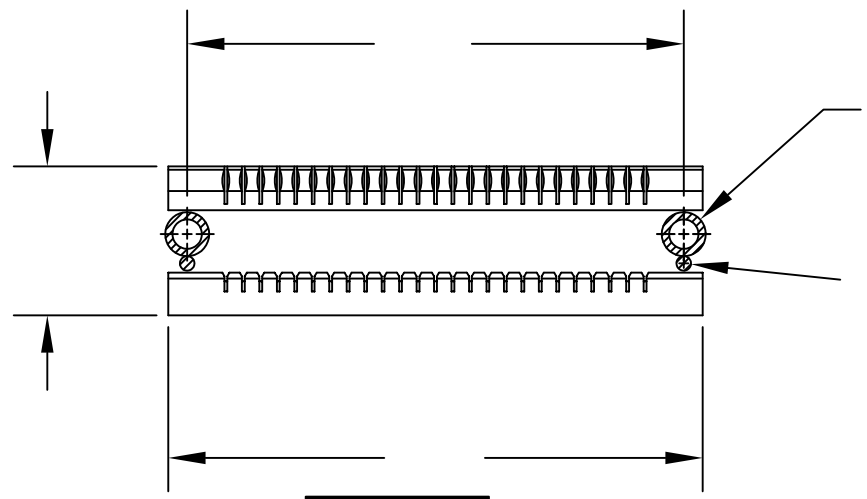


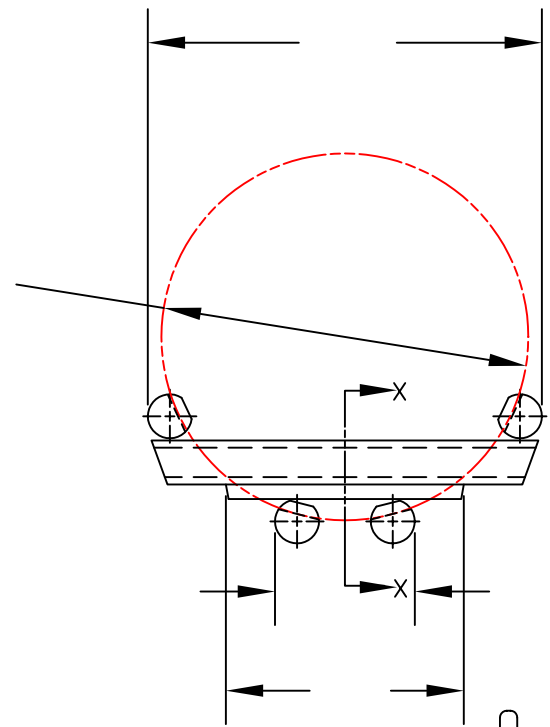
REVISIONS				
ZONE	REV.	DESCRIPTION	APPROVED	DATE



"A" SLOT WIDTH = _____



SECTION XX



UNLESS NOTED BREAK ALL EDGES 0.010" MINIMUM

PROPRIETARY
 THE INFORMATION CONTAINED HEREIN IS THE PROPERTY OF UNITED SILICA PRODUCTS INC., AND MAY NOT BE REPRODUCED OR DISCLOSED IN WHOLE OR IN PART WITHOUT THE WRITTEN PERMISSION OF UNITED SILICA PRODUCTS INC.

FILE NAME: TITLE.DWG REV.1

TOLERANCES	
DECIMAL INCHES	MILLIMETERS
X.X = +/-0.1	X = +/- 1
X.XX = +/-0.02	X.X = +/-0.5
X.XXX = +/-0.010	X.XX = +/-0.25
ANGULARITY +/- 1°	
FRACTIONS +/- 1/8"	
QTZ. TUBE PER GE STD. TOL.	

UNITED SILICA PRODUCTS, INC.
 3 PARK DRIVE, FRANKLIN, NEW JERSEY 07416
 PH (973) 209-8854 FAX (973) 209-8864
 E-MAIL quartzsales@unitedsilica.com

TITLE: **LOW PROFILE 100mm 25 SLOT BOAT**

CUST.	DWG NO.	REV.
		-0-
MATERIAL		DRAWN BY RMK
		APPROVED BY JB
SCALE	SHEET	DATE