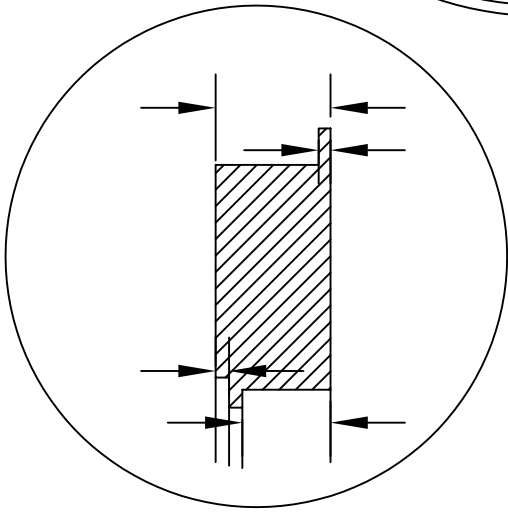
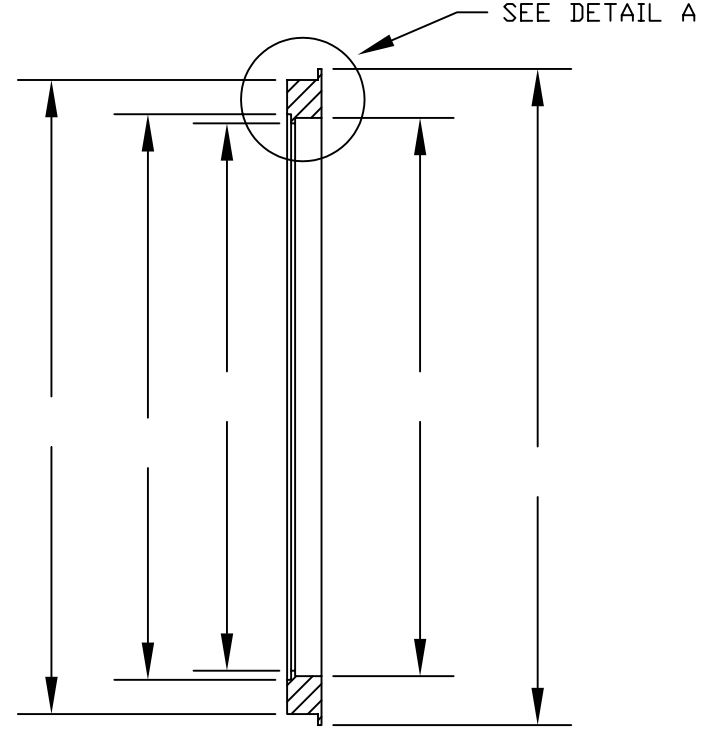
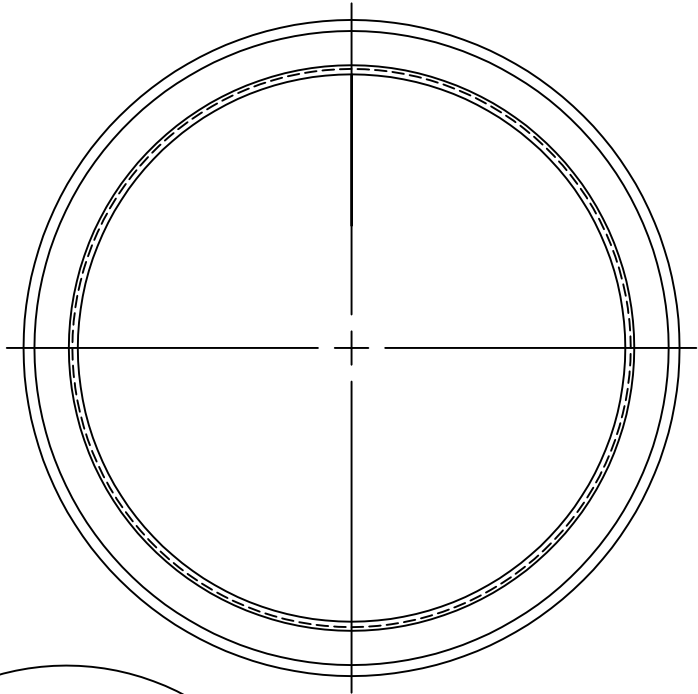


REVISIONS				
ZONE	REV.	DESCRIPTION	APPROVED	DATE



DETAIL
"A"

PROPRIETARY.
THE INFORMATION CONTAINED HEREIN IS THE PROPERTY OF UNITED SILICA PRODUCTS INC., AND MAY NOT BE REPRODUCED OR DISCLOSED IN WHOLE OR IN PART WITHOUT THE WRITTEN PERMISSION OF UNITED SILICA PRODUCTS INC.

TOLERANCES & STANDARDS UNLESS SPECIFIED		DO NOT SCALE DRAWINGS
DECIMAL INCHES	MILLIMETERS	
X.X = +/-0.020	X = +/- 0.38mm	BREAK ALL EDGES 0.010" MIN.
X.XX = +/-0.010	X.X = +/-0.25mm	
X.XXX = +/-0.005	X.XX = +/-0.13mm	
FRACTIONS OR WHOLE INCHES = ±1/64"		◎ 0.010 TIR
ANGLES = ±1.0°		▱ 0.005
SURFACE FINISH		└ 0.010/6.0"
G.D. 32/BETTER	G&P 80/50	▨ 0.005



UNITED SILICA PRODUCTS, INC. 3 PARK DRIVE, FRANKLIN, NEW JERSEY 07416 PH (973) 209-8854 FAX (973) 209-8864 E-MAIL sales@unitedsilica.com			
TITLE INNER RING			
CUST.	DWG NO.	REV.	
MATERIAL GE124	DRAWN BY		APPROVED BY
SCALE NONE	SHEET	DATE	