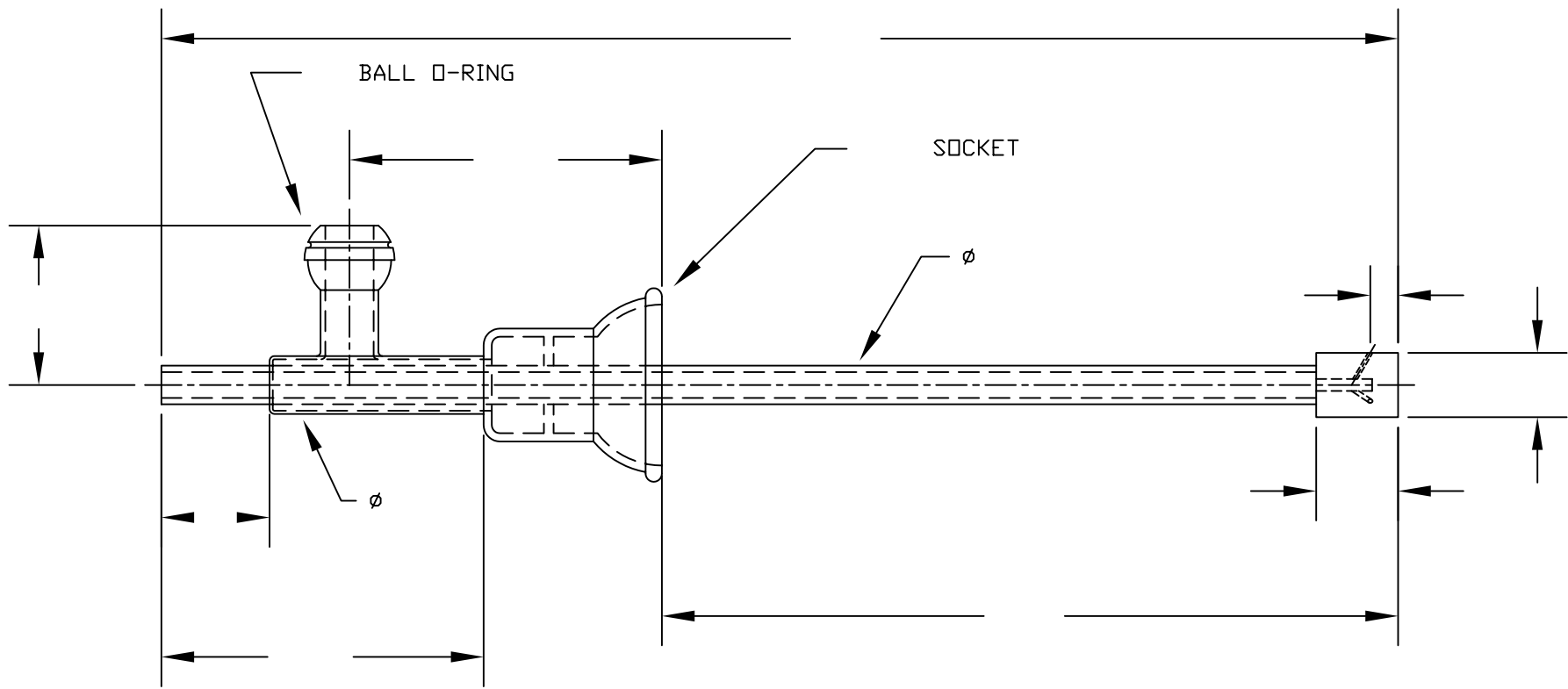


REVISIONS				
ZONE	REV.	DESCRIPTION	APPROVED	DATE



UNLESS NOTED BREAK ALL EDGES 0.010" MINIMUM

**PROPRIETARY**  
 THE INFORMATION CONTAINED HEREIN IS THE PROPERTY OF UNITED SILICA PRODUCTS INC., AND MAY NOT BE REPRODUCED OR DISCLOSED IN WHOLE OR IN PART WITHOUT THE WRITTEN PERMISSION OF UNITED SILICA PRODUCTS INC.

FILE NAME: TITLE.BWG REV.1

TOLERANCES	
DECIMAL INCHES	MILLIMETERS
X.X = +/- 0.1	X = +/- 1
X.XX = +/- 0.02	X.X = +/- 0.5
X.XXX = +/- 0.010	X.XX = +/- 0.25
ANGULARITY +/- 1°	
FRACTIONS +/- 1/8"	
QTZ. TUBE PER GE STD. TOL.	

UNITED SILICA PRODUCTS, INC. 3 PARK DRIVE, FRANKLIN, NEW JERSEY 07416 PH (973) 209-8854 FAX (973) 209-8864 E-MAIL <a href="mailto:quartzsales@unitedsilica.com">quartzsales@unitedsilica.com</a>		
TITLE H2 INJECTOR		
CUST.	DWG NO.	REV. -0-
MATERIAL		DRAWN BY
		APPROVED BY
SCALE	SHEET	DATE