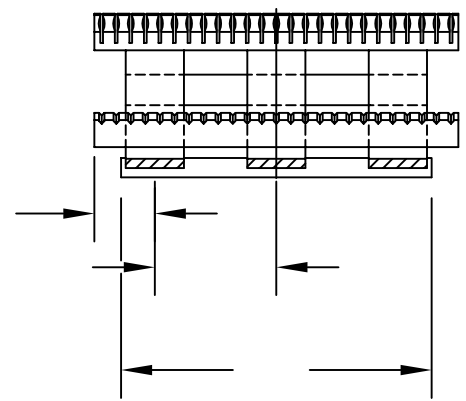
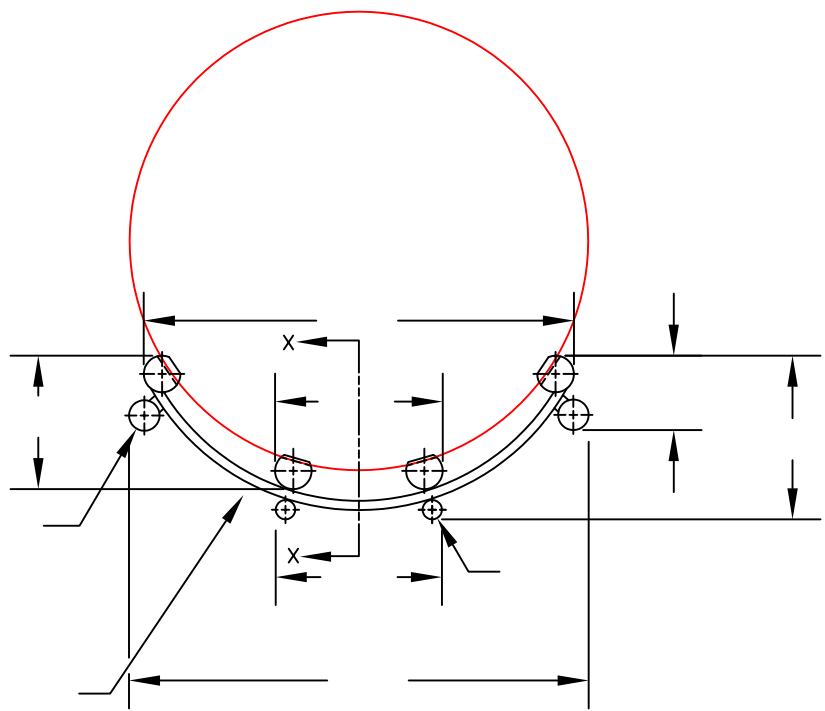
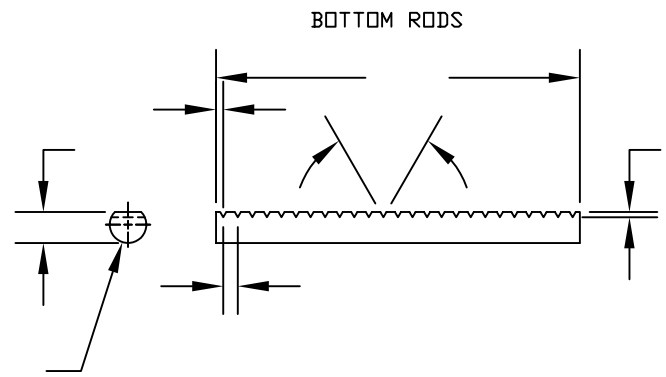
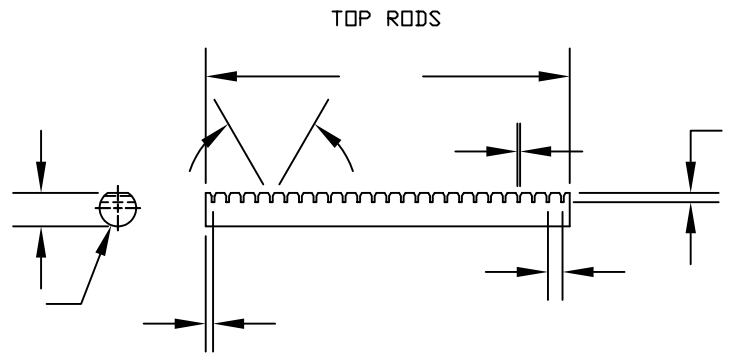


REVISIONS			
ZONE	REV.	DESCRIPTION	DATE



SECTION XX



UNLESS NOTED BREAK ALL EDGES 0.010" MINIMUM

**PROPRIETARY**  
 THE INFORMATION CONTAINED HEREIN IS THE PROPERTY OF UNITED SILICA PRODUCTS, INC., AND MAY NOT BE REPRODUCED OR DISCLOSED IN WHOLE OR IN PART WITHOUT THE WRITTEN PERMISSION OF UNITED SILICA PRODUCTS INC.

FILE NAME: TITLE.DWG REV.1

TOLERANCES	
DECIMAL INCHES	MILLIMETERS
X.X = +/-0.1	X = +/- 1
X.XX = +/-0.02	X.X = +/-0.5
X.XXX = +/-0.010	X.XX = +/-0.25
ANGULARITY +/- 1°	
FRACTIONS +/- 1/8"	
QTZ. TUBE PER GE STD. TOL.	

UNITED SILICA PRODUCTS, INC.  
 3 PARK DRIVE, FRANKLIN, NEW JERSEY 07416  
 PH (973) 209-8854 FAX (973) 209-8864  
 E-MAIL quartzsales@unitedsilica.com

TITLE 150mm 25 SLOT RIBBON BOAT

CUST.	DWG NO.	REV.
		-0-
MATERIAL GE214/EQ	DRAWN BY RMK	
	APPROVED BY JB	
SCALE	SHEET	DATE