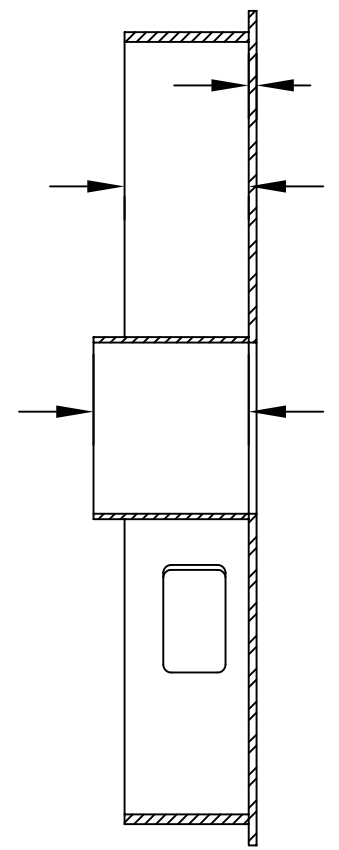
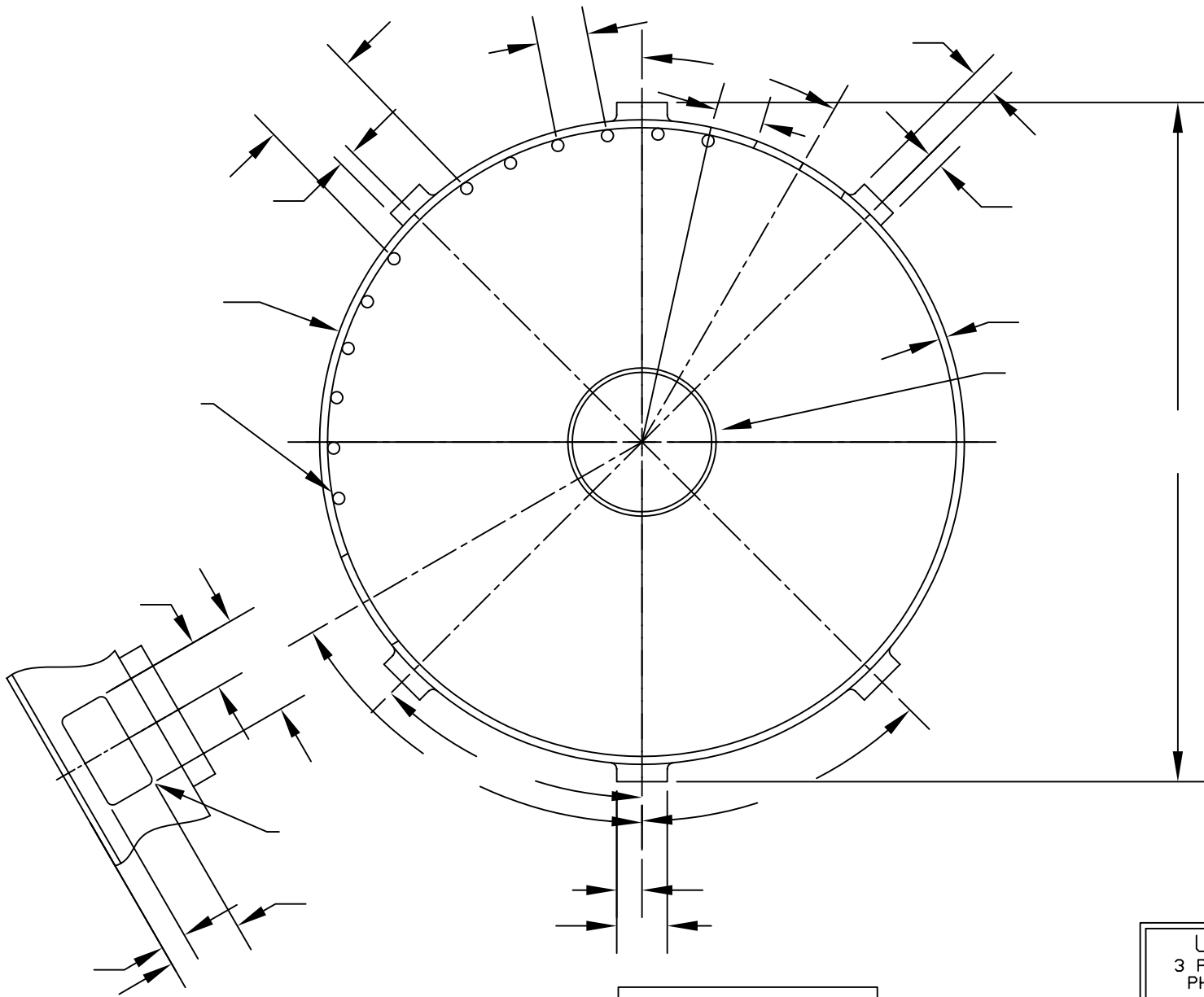


| REVISIONS | | | | |
|-----------|------|-------------|----------|------|
| ZONE | REV. | DESCRIPTION | APPROVED | DATE |
| | | | | |
| | | | | |
| | | | | |



| | | | |
|---|---------|--------------|--|
| UNITED SILICA PRODUCTS, INC. 3 PARK DRIVE, FRANKLIN, NEW JERSEY 07416 PH (973) 209-8854 FAX (973) 209-8864 E-MAIL quartzsales@unitedsilica.com | | | |
| TITLE | | PURGE BAFFLE | |
| CUST. | DWG NO. | REV. | |
| MATERIAL | | DRAWN BY | |
| SCALE | | APPROVED BY | |
| NONE | SHEET | DATE | |

UNLESS NOTED BREAK ALL EDGES 0.010" MINIMUM

PROPRIETARY

THE INFORMATION CONTAINED HEREIN IS THE PROPERTY OF UNITED SILICA PRODUCTS INC., AND MAY NOT BE REPRODUCED OR DISCLOSED IN WHOLE OR IN PART WITHOUT THE WRITTEN PERMISSION OF UNITED SILICA PRODUCTS INC.

FILE NAME: TITLEB.DWG REV.1

| TOLERANCES | |
|----------------------------|----------------|
| DECIMAL INCHES | MILLIMETERS |
| X.X = +/-0.1 | X = +/- 1 |
| X.XX = +/-0.02 | X.X = +/-0.5 |
| X.XXX = +/-0.010 | X.XX = +/-0.25 |
| ANGULARITY +/- 1° | |
| FRACTIONS +/- 1/8" | |
| QTZ. TUBE PER GE STD. TOL. | |