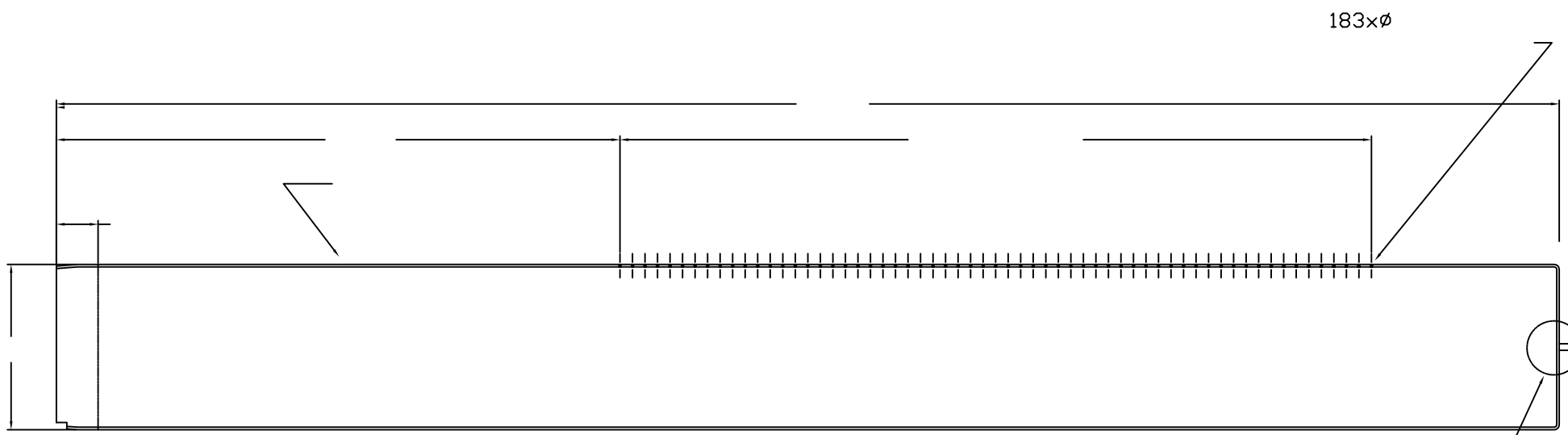
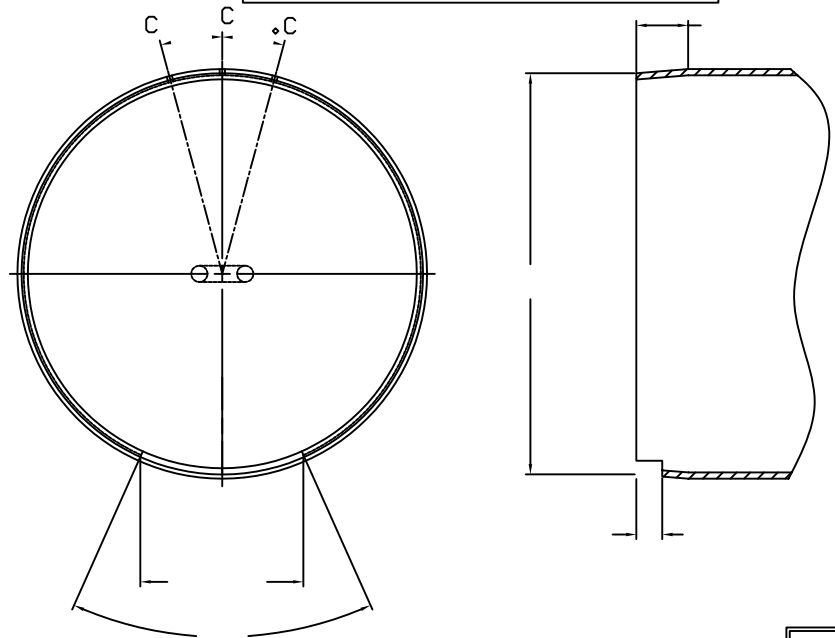


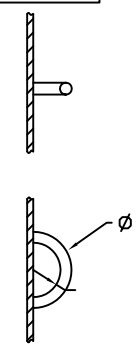
REVISIONS				
ZONE	REV.	DESCRIPTION	APPROVED	DATE



LEFT END VIEW AND DETAIL



DETAIL A



TOLERANCES	
DECIMAL INCHES	MILLIMETERS
X.X = +/- .050	X = +/- .1
X.XX = +/- .010	X.X = +/- .5
X.XXX = +/- .005	X.XX = +/- .15
ANGULARITY +/- 1°	

PROPRIETARY
 THE INFORMATION CONTAINED HEREIN IS THE PROPERTY OF UNITED SILICA PRODUCTS INC., AND MAY NOT BE REPRODUCED OR DISCLOSED IN WHOLE OR IN PART WITHOUT THE WRITTEN PERMISSION OF UNITED SILICA PRODUCTS INC.

FILE NAME: TITL.B.DWG

UNITED SILICA PRODUCTS, INC.
 3 PARK DRIVE, FRANKLIN, NEW JERSEY 07416
 PH (973) 209-8854 FAX (973) 209-8864
 E-MAIL sales@unitedsilica.com

TITLE: **QUARTZ LINER**

CUST.	DWG NO.	REV.
MATERIAL	GE214	DRAWN BY
SCALE	NONE	APPROVED BY
SHEET		DATE